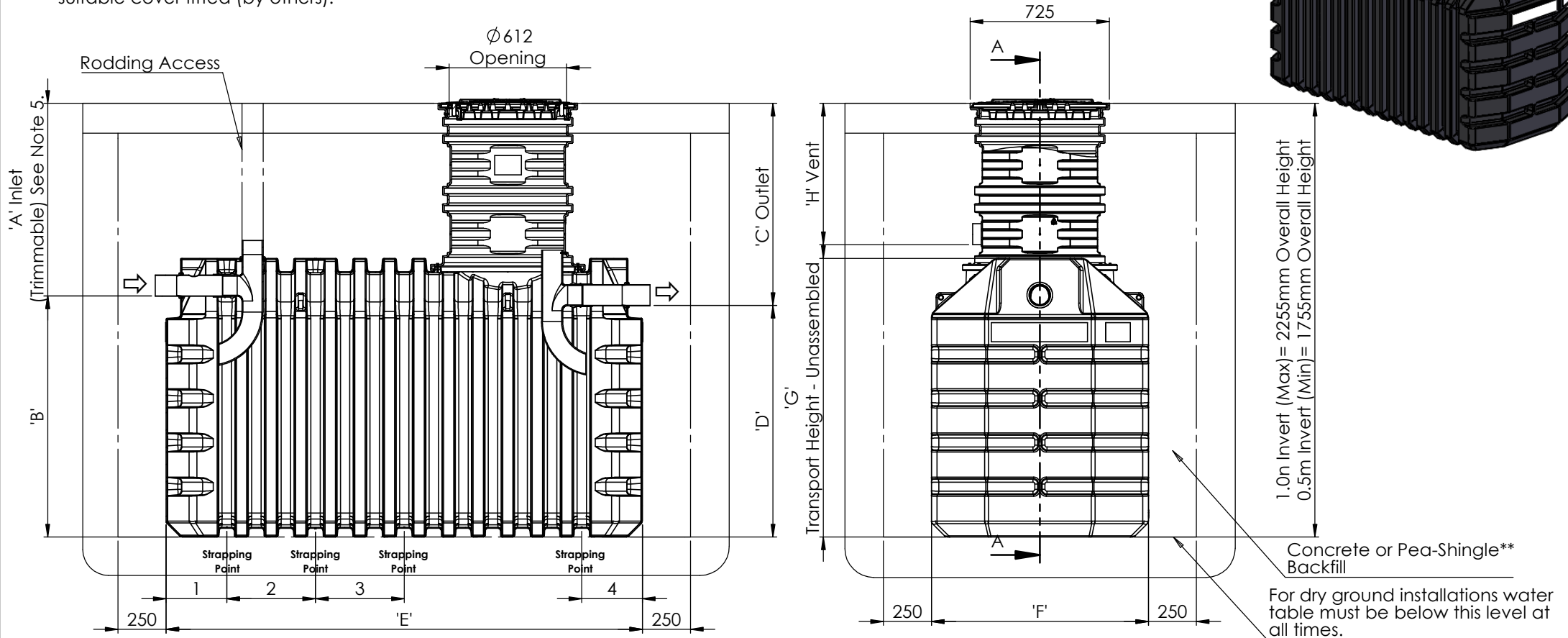
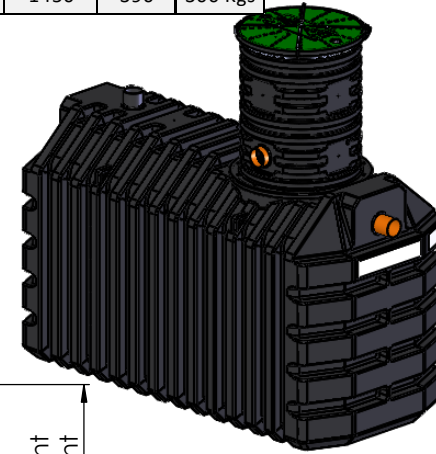


Notes:

1. This drawing is for 'Dimensional Information' only. It is essential that this drawing is read in conjunction with the 'Installation Guidelines' supplied with the unit.
2. All pipe connections are Ø110mm PVCu.
3. Additional ventilation can be achieved on the incoming drain, via a stack pipe. Position to suit specific site conditions.
4. Confirm with local building regulations if additional venting is required.
5. Tank has a trimmable Inlet Invert from 0.5m to 1.0m. Neck can be trimmed at 100mm increments to required Invert. Refer to Drawing DS1261P.
6. Keys supplied to open the pedestrian duty cover latches.
7. **Pea-Shingle backfill is reliant on use of correct strapping and anchoring.
8. Rodding access to be extended to ground level and suitable cover fitted (by others).

Tank Dimensional Table										
Unit	Storage Volume (Ltr)	Dim 'A' (mm)	Dim 'B' (mm)	Dim 'C' (mm)	Dim 'D' (mm)	Dim 'E' (mm)	Dim 'F' (mm)	Dim 'G' (mm)	Dim 'H' (mm)	Tank Weight
GST028SzGK	2800	500-1000	1255	550-1050	1205	2480	1130	1450	390	240 Kgs
GST035SzGK	3500	500-1000	1255	550-1050	1205	3000	1180	1450	390	270 Kgs
GST040SzGK	4000	500-1000	1255	550-1050	1205	3360	1215	1450	390	300 Kgs

Strapping Positions				
Unit	1	2	3	4
GST028TzGK	315mm	460mm	460mm	315mm
GST035TzGK	315mm	800mm	800mm	315mm
GST040TzGK	315mm	900mm	900mm	315mm



Please check with Kingspan Environmental that this drawing is the latest issue

Issue	Date	Drawn by	Approved by
03	29/03/17	JMcM	
02	19/06/15	JMcM	

Description
CC1375
CC1252

Material : Various
Finish :
Weight : 128.60 Kg Kgs

Tolerance :
Thickness : n/a
Surface Area :

Drawing : DS1267P

Page 1 of 1

GAMMA Sales Drawing - S.Stage, Gravity

All dimensions in mm

Scale: Not to scale

Kingspan Environmental reserve the right to alter the details of this drawing without prior notice. This drawing is copyright and may not be reproduced or used without the written permission of Kingspan Environmental.

