



water solutions

# Data sheet

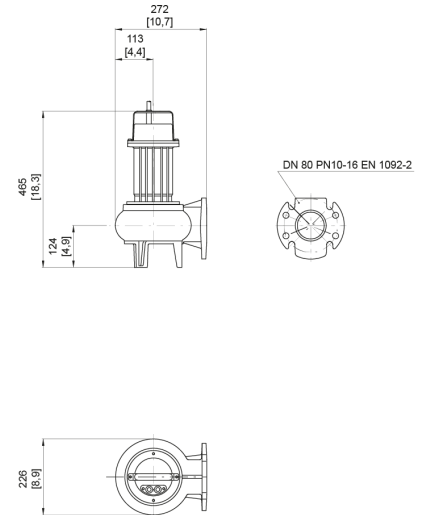
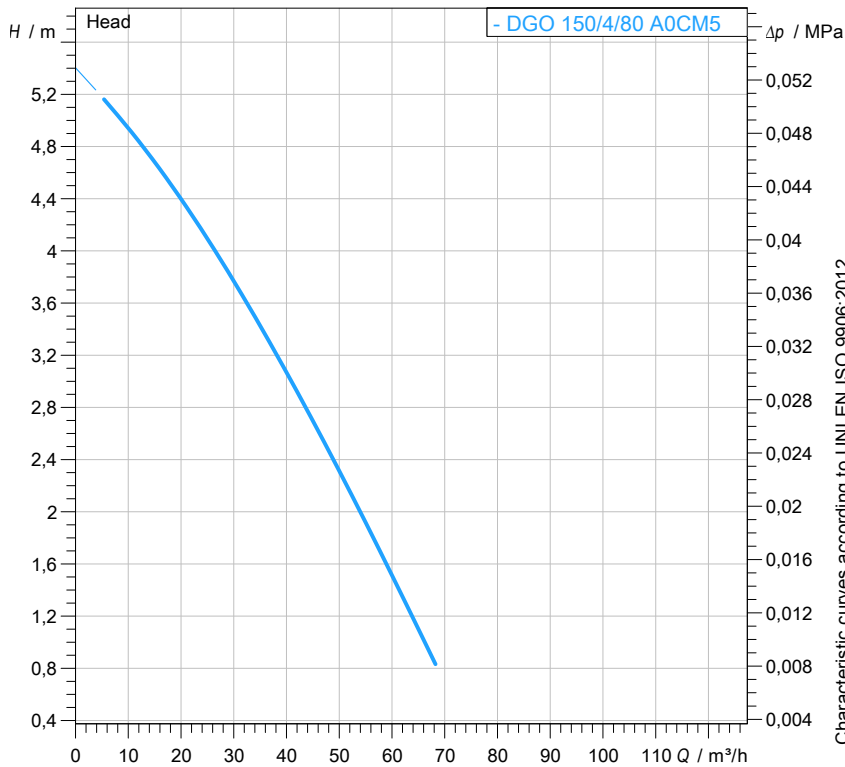
## DGO 150/4/80 A0CM5

# O

series

### Technical specification

1~ 50 Hz



[ mm ]  
[ inch ]

#### Pump

Series	O series
Pump name	DGO 150/4/80 A0CM5
Configuration	NGTAB40523N00NN
Standard	EN 809:2009

#### Motor data

Rated voltage	230 V
Frequency	50 Hz
Motor phases	1~
Number of poles	4
Rated power P2	0,90 kW
Incoming power P1	1,60 kW
Rated current	7,6 A
rpm	1280 1/min
cos $\phi$	0,95
Rated torque	6,7 Nm
Start	
Degree of protection	IP 68
Insulation class	F

#### Hydraulic

Type	DG (Set-back Vortex)
Free passage	60 mm
Impeller type	Set-back Vortex impeller
Discharge	DN 80 EN 1092-2
Curve tolerance	UNI EN ISO 9906:2012

#### Operating limits (standard pumps)

Max. ambient temperature	40 °C
Max. density treated liquid	1100 kg/m³
Max. immersion depth	20 m
pH treated liquid	6 ÷ 14
Max. start per hour (equally distributed)	30
Wet/dry use	WET
Max. acoustic pressure level	70 dB
Operating mode	S1 - Continuous use

#### Construction materials

Case	Cast iron EN-GJL 250
Shaft	Stainless steel - AISI 420
Hydraulic	Cast iron EN-GJL 250
Impeller	Cast iron - EN-GJL 250
Painting/Coating	Bi-epoxy 80 $\mu$ m
Screws	Stainless steel - Class A2-70
Gaskets	NBR

#### Construction features

Cooling system	No cooling jacket
Main cable	4G1
Control cable	-
Cable length	5 mt
Mechanical seals	1 in silicon carbide (SiC) and 1 in alumina graphite (AL)
Additional drilling	-
Weight*	29 kg
Electrical variant	Thermal protection

\* cable's weight not included

Rev. 0 - 16-12-2014

All data shown are not binding. Zenit reserves the right to change data and dimensions without notice.

Created on 2018-01-19

zenit.com

Page 1 / 3



water solutions

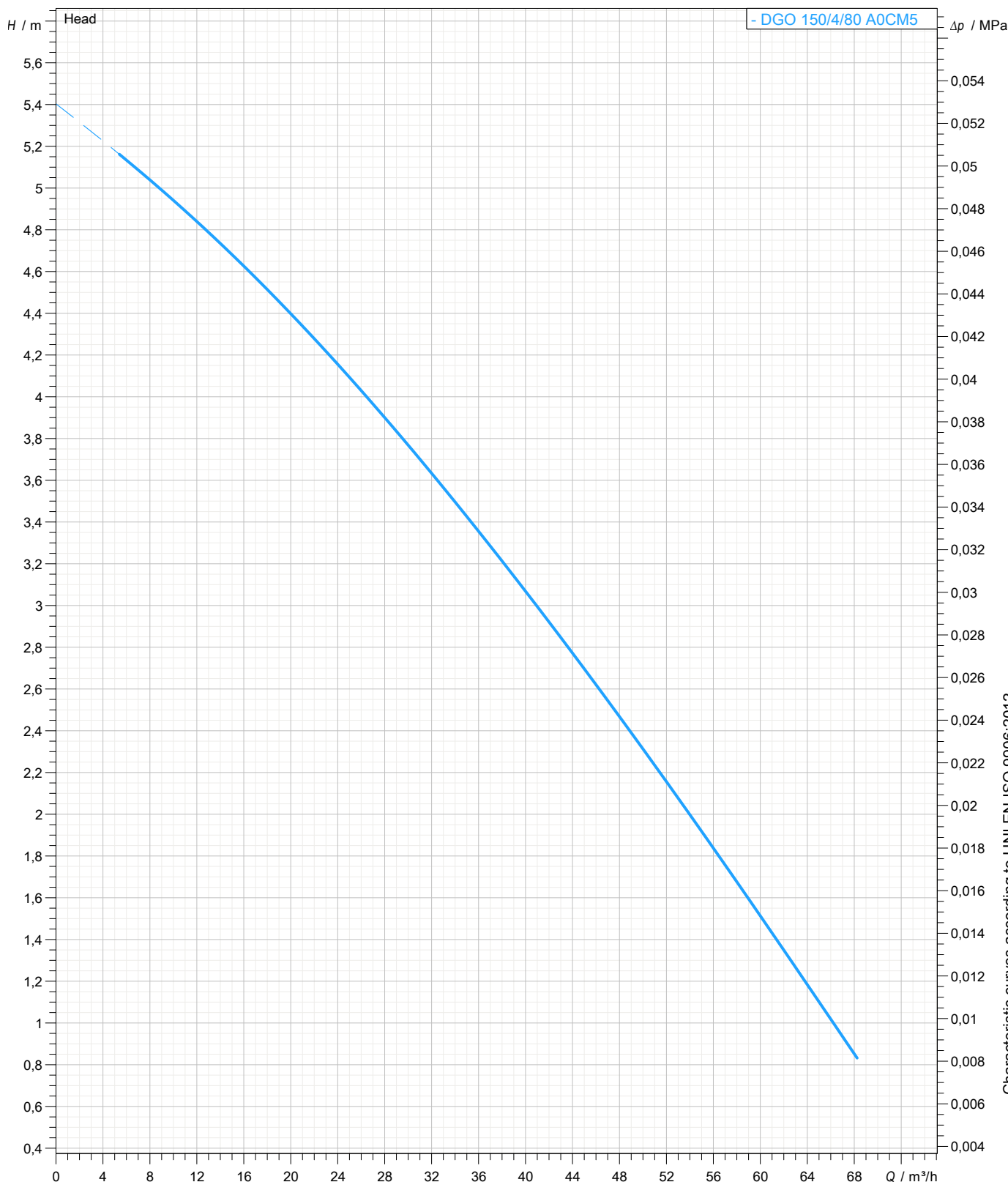
# Data sheet DGO 150/4/80 A0CM5



## Pump performance curves

1~ 50 Hz

Hydraulic type DG (Set-back Vortex)	Impeller type Set-back Vortex impeller	Free passage 60 mm	Discharge DN 80	Suction -	
<b>DUTY POINT</b>					
Flow	Head	Shaft power P2	Hydraulic efficiency	Density 998,3 kg/m <sup>3</sup>	Viscosity 1,005 mm <sup>2</sup> /s



Characteristic curves according to UNI EN ISO 9906:2012



water solutions

# Data sheet DGO 150/4/80 A0CM5

**O**  
series

## Dimensional drawing

1~ 50 Hz

**Installation type** Installation with bottom coupling device - Vertical outlet

WET/DRY use: WET

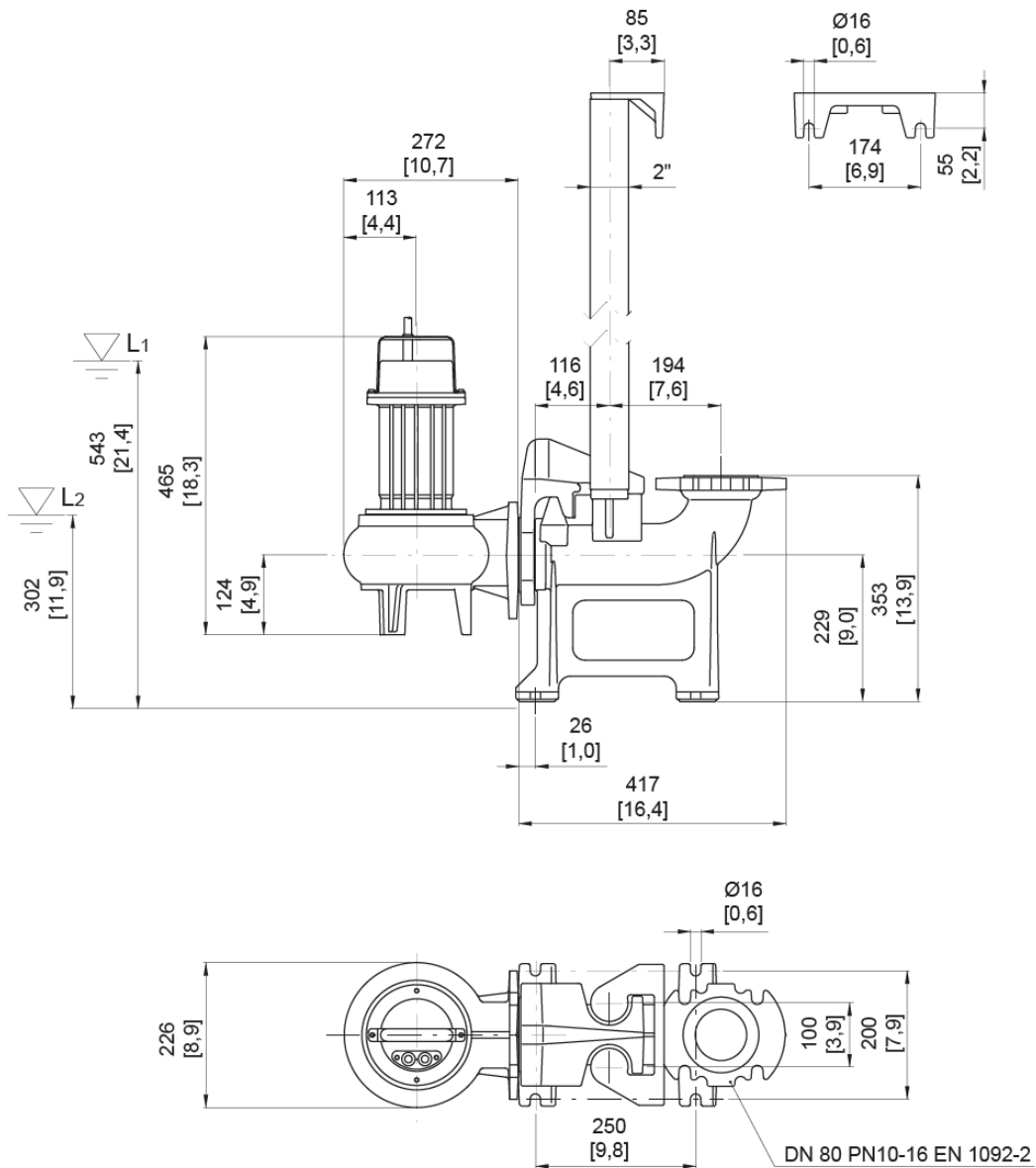
Accessory \* : DAC 80/80V+KAF 116-2" EN (P)

Discharge: DN 80 EN 1092-2

Accessory code \* : 9001.032

Pressure rating (suction/discharge): PN 10

\* Accessory must be ordered separately



L1: Minimum operating level for continuous use  
L2: Minimum operating level for discontinuous use

[ mm ]  
[ inch ]