



water solutions

Data sheet

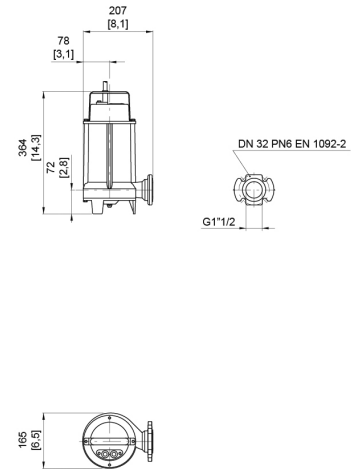
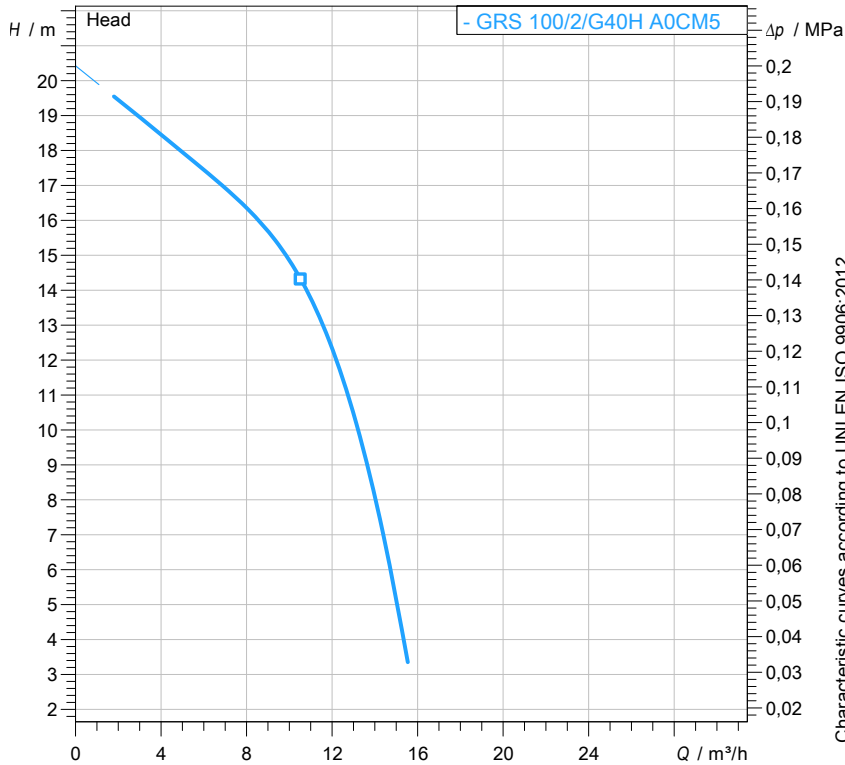
GRS 100/2/G40H A0CM5

S

series

Technical specification

1~ 50 Hz



[mm]
[inch]

Pump

Series	S series
Pump name	GRS 100/2/G40H A0CM5
Configuration	NGDCB20523N00NN
Standard	EN 809:2009

Motor data

Rated voltage	230 V
Frequency	50 Hz
Motor phases	1~
Number of poles	2
Rated power P2	0,90 kW
Incoming power P1	1,40 kW
Rated current	6,6 A
rpm	2710 1/min
cos φ	0,93
Rated torque	3,9 Nm
Start	
Degree of protection	IP 68
Insulation class	F

Hydraulic

Type	GR (Impeller with grinder system)
Free passage	0 mm
Impeller type	Open channel impeller with grinder system
Discharge	DN 32 - G 1 1/2 EN 1092-2
Curve tolerance	UNI EN ISO 9906:2012

Operating limits (standard pumps)

Max. ambient temperature	40 °C
Max. density treated liquid	1100 kg/m ³
Max. immersion depth	20 m
pH treated liquid	6 ÷ 14
Max. start per hour (equally distributed)	30
Wet/dry use	WET
Max. acoustic pressure level	70 dB
Operating mode	2017-11-24 S1 - Continuous use

Construction materials

Case	Cast iron EN-GJL 250
Shaft	Stainless steel - AISI 420
Hydraulic	Cast iron - EN-GJL 250
Impeller	Cast iron - EN-GJL 250
Painting/Coating	Bi-epoxy 150 μm
Screws	Stainless steel - Class A2-70
Gaskets	NBR
Cutter	Chromium steel - X102 CrMo17 KU
Cutting disk	Chromium steel - X102 CrMo17 KU

Construction features

Cooling system	No cooling jacket
Main cable	4G1
Control cable	-
Cable length	5 mt
Mechanical seals	1 in silicon carbide and 1 lip seal

Weight*	21 kg
Electrical variant	Thermal protection, starting capacitor, box and running capacitor

* cable's weight not included



water solutions

Data sheet GRS 100/2/G40H A0CM5

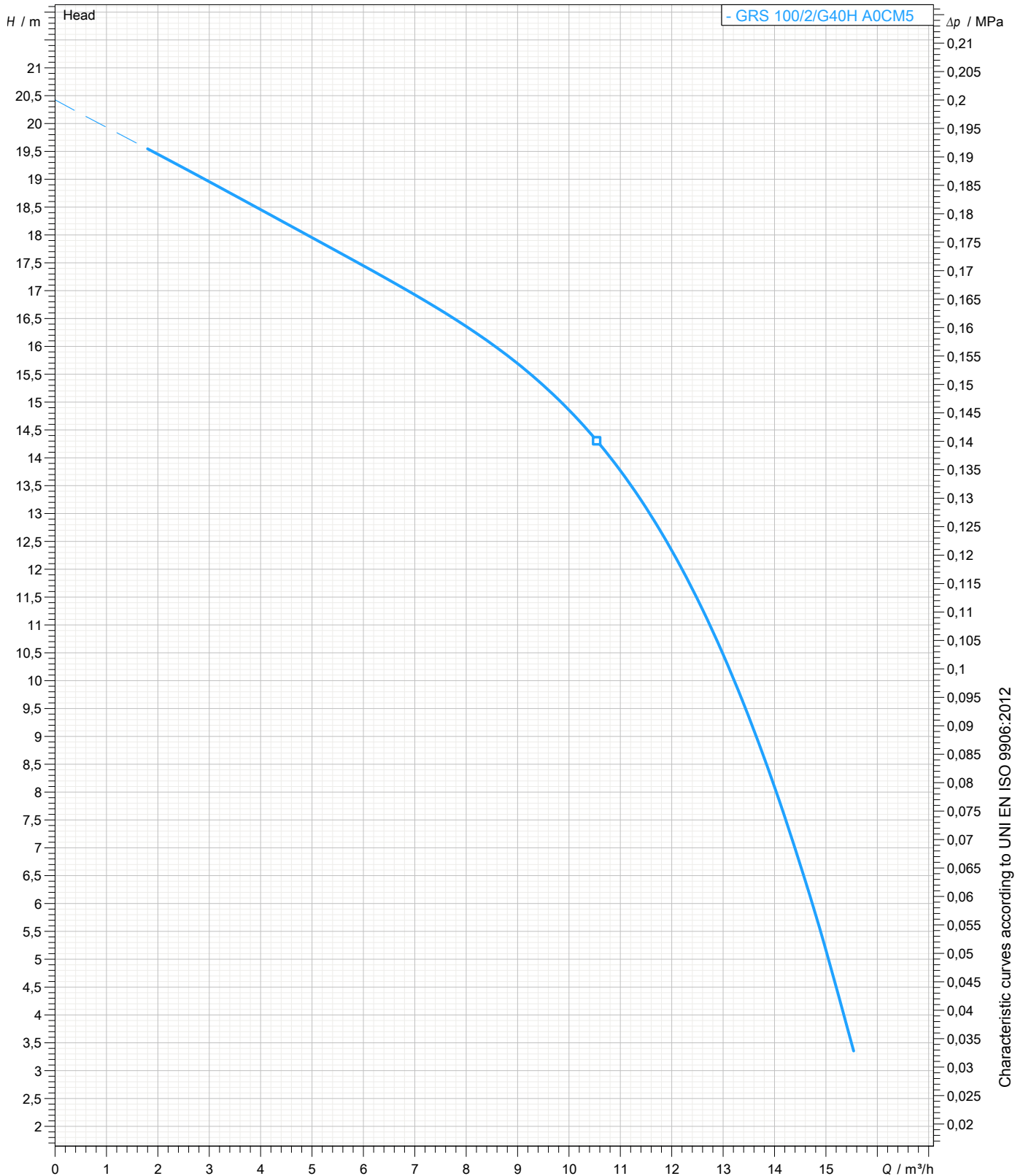
S

series

Pump performance curves

1~ 50 Hz

Hydraulic type GR (Impeller with grinder system)		Impeller type Open channel impeller with grinder system		Free passage 0.4 m	Discharge DN 32 - G 1"1/2	Suction -
DUTY POINT						
Flow	Head	Shaft power P2	Hydraulic efficiency	Density 998,3 kg/m ³	Viscosity 1,005 mm ² /s	





water solutions

Data sheet GRS 100/2/G40H A0CM5

S

series

Dimensional drawing

1~ 50 Hz

Installation type Installation with bottom coupling device - Horizontal/vertical outlet

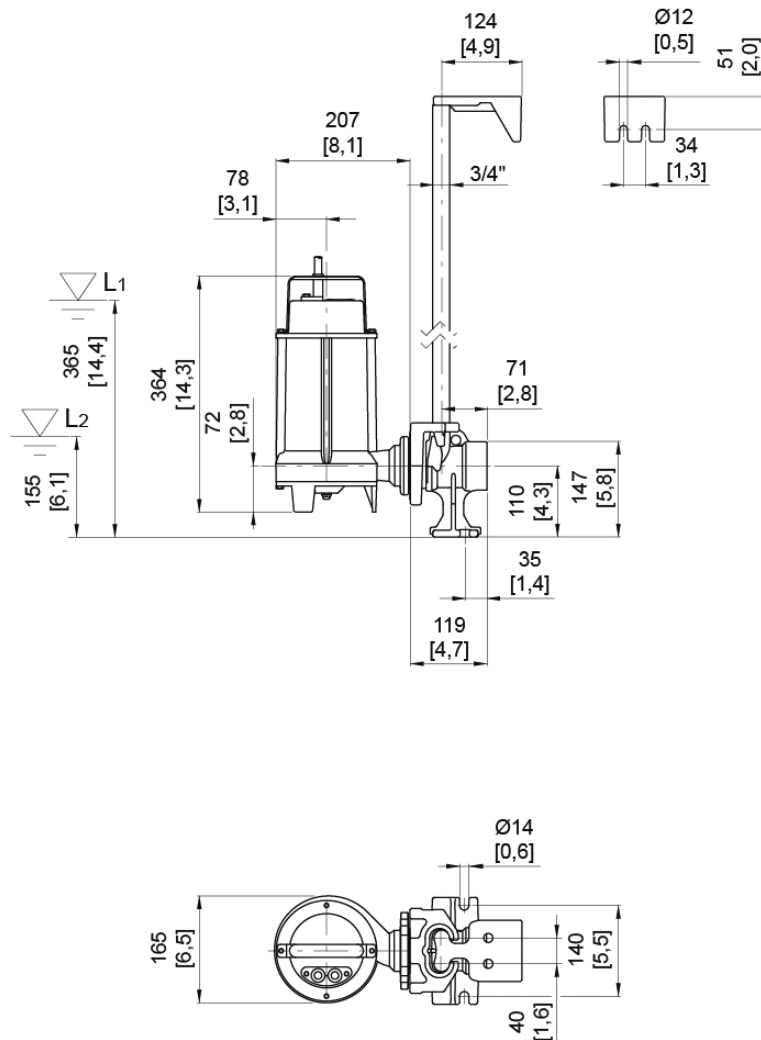
WET/DRY use: WET

Accessory * : DAC 32-50/G50H-G50V+KAF 3/4" EN (P)

Discharge: DN 32 - G 1"1/2 EN 1092-2 Accessory code * : 9028.010

Pressure rating (suction/discharge): PN 6

* Accessory must be ordered separately



L1: Minimum operating level for continuous use
L2: Minimum operating level for discontinuous use

[mm]
[inch]